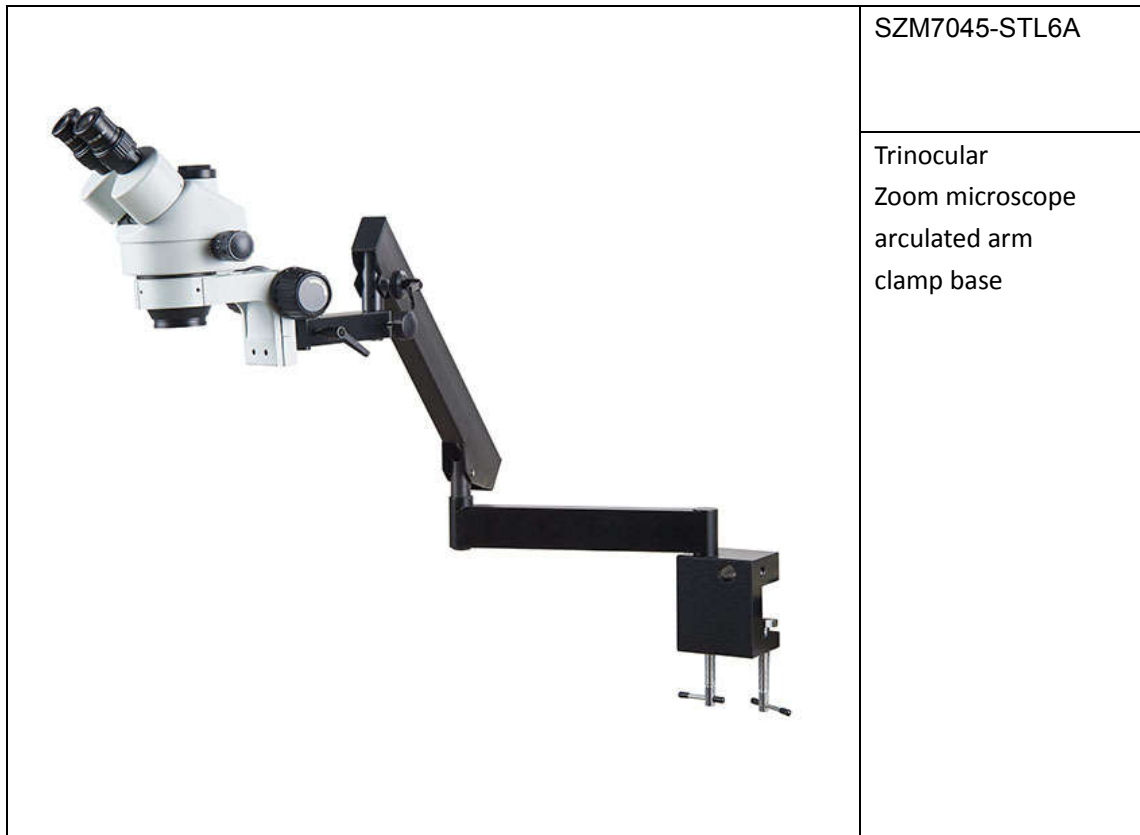


LYLIGHT ELECTRIC CO LIMITED

stereo zoom microscope



stereo microscope is typically used to inspect larger, opaque, and 3D objects, such as small electronic components or stamps.

stereo microscope is an optical microscope that provides a three-dimensional view of a specimen. It is also known by other names such as dissecting microscope and stereo zoom microscope. Dissecting microscope parts include separate objective lenses and eyepieces. As a result, you have two separate optical paths for each eye. The slightly different angling views to the left and right eyes produce a three-dimensional visual. Because it gives the three-dimensional view it is also called as the dissecting microscope.

stereo zoom microscope features

1. The left and right beams in the binocular tube are not parallel, but have a certain included angle-the body angle of view (generally $12^{\circ}\sim 15^{\circ}$), so the imaging has a three-dimensional stereoscopic impression;
2. The image is upright, easy to operate and dissect, because the prism under the eyepiece turns the image upside down;
3. Although the magnification can be up to about 200 times, its working distance is very long. After adding an additional lens in front of the objective lens, the working distance can reach 200mm;
4. The focal depth is large, which is convenient for observing the whole layer of the object under inspection. At low magnification, the focal depth can reach 5.6mm;
5. Large field diameter, up to about 65.7mm at low magnification.

LYLIGHT ELECTRIC CO LIMITED

Eyepiece	Standard		Auxiliary Lens 0.5X		Auxiliary Lens 1.5X		Auxiliary Lens 2X	
	W.D. 100mm		W.D. 165mm		W.D. 45mm		W.D. 30mm	
	Mag.	F.O.V	Mag.	F.O.V	Mag.	F.O.V	Mag.	F.O.V
10X/20mm	7.0X	28.6mm	3.5X	57.1mm	10.5X	19mm	14.0X	14.3mm
	45.0X	4.4mm	22.5X	8.9mm	67.5X	3mm	90.0X	2.2mm
15X/15mm	10.5X	21.1mm	5.25X	42.8mm	15.75X	14.3mm	21.0X	10.7mm
	67.5X	3.3mm	33.75X	6.7mm	101.25X	2.2mm	135.0X	1.7mm
20X/10mm	14.0X	14.3mm	7.0X	28.6mm	21.0X	9.5mm	28.0X	7.1mm
	90.0X	2.2mm	45.0X	4.4mm	135.0X	1.5mm	180.0X	1.1mm
25X/9mm	17.5X	12.9mm	8.85X	25.4mm	26.2X	8.6mm	35.0X	6.4mm
	112.5X	2.0mm	56.3X	4.0mm	168.8X	1.3mm	225.0X	1.0mm
30X/8mm	21.0X	11.4mm	10.5X	22.9mm	31.5X	7.6mm	42.0X	5.7mm
	135.0X	1.8mm	67.5X	3.6mm	202.5X	1.2mm	270.0X	0.9mm
Magnification	7X-45X, 3.5X-270X with optional eyepieces and objectives							
Eyepiece	WF10X/20mm high-eyepoint, wide-field; Convenient for observers wearing glasses							
Optional Eyepiece	WF10X/20mm, WF15X/15mm, WF20X/10mm, WF25X/9mm, WF30X/8mm							
Main Body	Binocular head, 45° inclined, 360° rotatable, can be locked in any position							
	Interpupillary Distance adjustment:54-76mm; Diopter adjustment:±5 diopters							
Objective	0.7X-4.5X stereo zoom; Zoom Ratio:6.4:1							
Aux Lens	0.3X, 0.5X, 0.7X, 0.75X, 1.5X, 2X							
Focus Mount	76mm 16mm E arm Focus holder							
Stand	Arculated arm,vertical post 400mm, Horizontal moving 770mm, Base Size 98x80x116mm,Max Clamping Size 50mm, with C-clamp,Expand the scope of operation and observe the object in any direction							
Illumination								

stereo zoom microscope application

Suitable for electronic circuit boards, chip packaging, jewelry identification, research phase analysis, micro-precision quality control, assembly, public security, bank trace comparison, teaching demonstration, clinical surgery samples, agricultural selection, textile inspection, breeding industry selection Pathological analysis. observation, assembly and inspection of micro-components and integrated circuits on the production lines of PCB, LCD and other industries, as well as the inspection of precision parts for mechanical finishing.

Meet the requirements of high precision in modern biology, medicine, scientific research, modern electronic industry online detection and other science and technology industries.